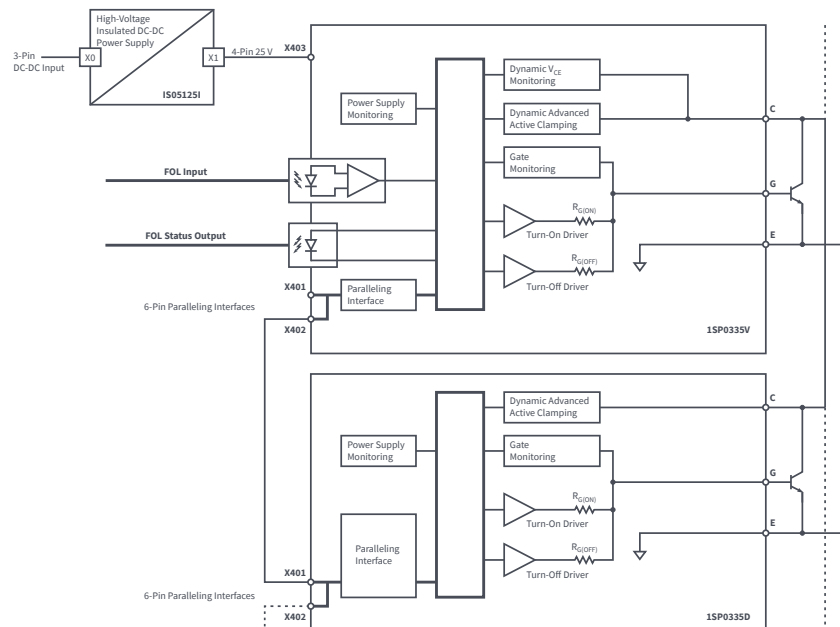


SCALE™ -2 Plug-and-Play IGBT Gate Driver 1SP0335

- Separate power supply unit for IGBT modules
- Fiberoptic interfaces
- +15 V (regulated) / -10 V gate driving
- Supports two-level and multi-level topologies
- Dynamic IGBT short-circuit protection and Dynamic Advanced Active Clamping
- External DC-DC converter ISO5125I required



Single-channel Plug-and-play Gate Driver for 3.3 kV to 6.5 kV (1SP0335 and DC-DC ISO5125I)



PI-8697-022820

Applications

- Railway main inverters
- Railroad power supplies
- High-voltage DC transmission systems
- Flexible AC transmission systems
- Medium- and high-voltage drives
- Industrial motor drives

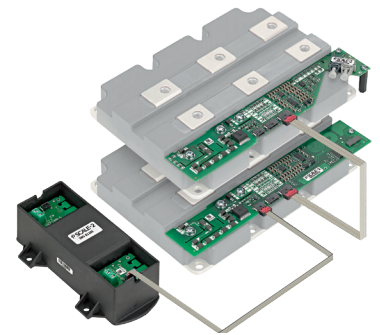
Certifications

- Creepage and clearance according to IEC 60077-1
- UL compliant

Product Details

Parameter	Min	Typical	Max	Unit
Nominal supply voltage		25		V
Supply current 1SP0335x2Mx @ $f_{IN} = 0$ Hz		45		mA
Per additional 1SP0335D2Sx @ $f_{IN} = 0$ Hz		20		mA
Output power (1SP0335V2Mx)		3.5		W
Output power (1SP0335D2Sx)		3.3		W
Gate voltage		+15 / -10		V
Peak output current (gate current)	-35		+35	A
Switching frequency (f_s^{-1})	0		30	kHz
Duty cycle	0		100	%
Operating temperature	-40		+85	°C

1 Maximum switching frequency depends on the IGBT gate charge. See data sheet for actual value of specific driver.



1SP0335 plug-and-play gate driver and power supply unit

Design Support

Available Products 1SP0335 products list (www.power.com/1SP0335)

Application Note AN-1301: Do's and don'ts with SCALE-2 gate drivers (www.power.com/an-1301)