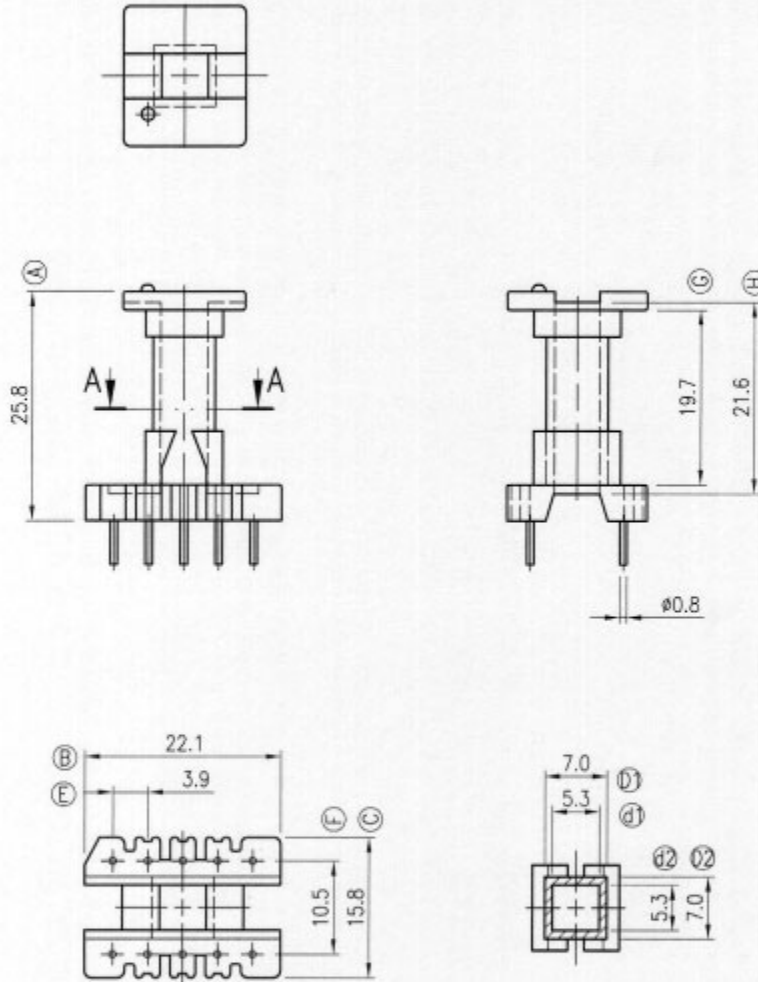


YING CHIN CO., LTD 盈勤 Part No. YC-1922



A-A Section

Date	Revised Record	Model	EEL-19	10PINs
02.01.01	A/0→A/1	Bobbin Material:	PHENOLIC UL-94V-0	
		Pin Material:	CP Wire	
		Scale:	1.5 : 1	Tolerance: .xxx ±0.08
		Unit:	mm	.xx ±0.1
				.x ±0.2
		File No:	YC-F-045	Date: 2002.01.01

(台北) Tel : 886-2-29902896 Fax : 886-2-29906154
 (昆山) Tel : 86-520-7794588 Fax : 86-520-7794788
 (東莞) Tel : 86-769-5549610 Fax : 86-769-5549617